

General

When building automated pneumatic circuits, it is sometimes necessary to alter or modify the various signals. There can be, for instance, a permanent signal coming from a limit switch that needs to be terminated, or there may be a need to modify a pneumatic signal into an electric one, etc. While this can be accomplished by using commercially available components, the process is tedious and expensive. We have therefore developed a number of components to facilitate this task resulting in a consistent saving of time, space and money.

The 900 series consist of the following components:

- Pressure switch, which transforms a pneumatic signal into an electric one.
- Impulse generator, which transforms a permanent pneumatic signal into an adjustable impulse from 0 to 10 seconds.
- Pneumatic timer (N.C. or N.O.), which cuts or releases a pneumatic signal within an adjustable time.
- Two hands safety valve, which allows a safety use of two hands pneumatic controls (for example two push-button 3/2 N.C. to a certain distance) excluding false signals in case of push-button or valve malfunction.
- Flip - Flop: 5/2 ways valve, single signal actuated, commutes the outlet from 2 to 4 and vice versa at each puls.

For a correct functioning it's important that inlet pressure be the same or lower than pilot pressure.

- Oscillator valve, 5/2 - G 1/8" with two logic functions "NOT" mounted on board, switches when the pressure in the connected cylinder exhaust chamber is reaching the threshold of "NOT".
- Signal amplifier, 3/2 - G 1/8" N.C. valve actuated by weak signals but higher than 0.05 bar.
- Progressive start-up valve, which is a device that is fitted in between valve or solenoid valve and cylinder allows a gradual filling of the chamber providing a low power cylinder movement.
The progressive start-up valve is made of a flow control valve and a 2/2 N.C. valve with 6 mm nominal orifice.
The valve is totally open when the pressure in the cylinder reaches 50% of inlet pressure.
- High-low pressure devices, located in the pneumatic circuit between valve and cylinder, allow the function of the cylinder with two different pressures. Example: in case of a locking action, it is possible to approach the required position at a low pressure, then increase to its maximum value in the circuit with the use of an electric signal.
They are practically made of a piloted pressure regulator without relieving.

Construction characteristics

We have not listed all different materials used for the construction of these components because the list would be too long. We use corrosion proof material, brass or anodized aluminium and the most appropriate specific mixture for seals. If more information is required please contact our technical department.


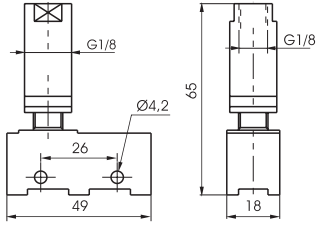
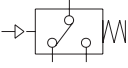
Use and maintenance

In use pay attention to the minimum and maximum criteria for temperature and pressure, checking and ensure good quality compressed air. In a dirty environment, protect the exhaust ports. In this case, maintenance is minimal and is necessary only if the air is particularly dirty. The components most subject to damage by the accumulation of dirt are flow regulators with fine regulation and silencers. As for regulators, follow the normal procedure for disassembling, washing with non-chemical cleaning agents and remounting. The silencers need only to be rinsed in petrol or solvent and blown dry with compressed air.


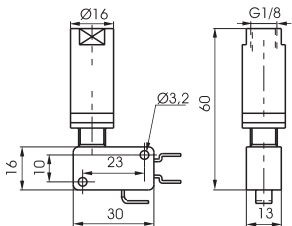
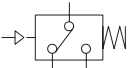
The number of requests for spare seals for flow regulators and shuttle valves are statistically irrelevant. More often, it is necessary to replace the lining of the quick exhaust because of the wear it undergoes due to the particular conditions of operating.

ATTENTION: for lubrication use class H hydraulic oils, for example Castrol MAGNA GC 32.

Pressure switch G 1/8" - screw connections

Ordering code							
900.18.1-P							
PRESSURE P 1 = 0,5 ...1 bar 4 = 3,5 ...4 bar							
Weight gr. 75							
							
Operational characteristics	Fluid	Max working pressure	Operating Temperature		Flow rate microswitch	Working pilot port size	
	Filtered and lubricated air	10 bar	Min. -5°C	Max. +70°C	13 (3) A - 220V~	G 1/8"	


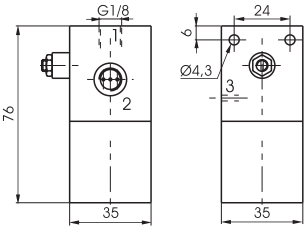
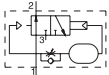
Pressure switch G 1/8" - spade connections

Ordering code							
900.18.1/P							
PRESSURE P 1-1 = 0,5 ...1 bar 1-4 = 3,5 ...4 bar							
Weight gr. 60							
							
Operational characteristics	Fluid	Max working pressure	Operating Temperature		Flow rate microswitch	Working pilot port size	
	Filtered and lubricated air	10 bar	Min. -5°C	Max. +70°C	16 (5) A - 220V~	G 1/8"	

Switch protection

Ordering code							
900.18.0							
Weight gr. 6							

Impulse generator

Ordering code							
900.18.2N							
Weight gr. 235							
							
Operational characteristics	Fluid	Max working pressure	Operating Temperature		Orifice size		
	Filtered and lubricated air	10 bar	Min. -5°C	Max. +70°C	mm 2		

1

Pneumatic timer N.C. - G 1/8"

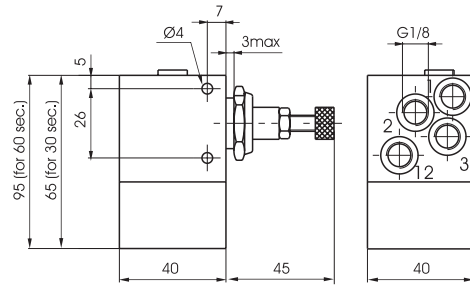
Ordering code

900.18.1

TIME

3 = 0 ... 30 sec.

3-60 = 0 ... 60 sec.



Weight gr. 290 (30 sec.)
Weight gr. 350 (60 sec.)

Operational characteristics	Fluid	Min / Max working pressure	Operating Temperature		Flow rate at 6 bar with p=1	Orifice size
	Filtered and lubricated air	3 ... 10 bar	Min. -5°C	Max. +70°C	130 NI/min	mm 2,5

Pneumatic timer N.O. - G 1/8"

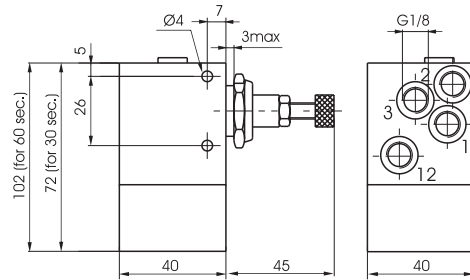
Ordering code

900.18.1

TIME

4 = 0 ... 30 sec.

4-60 = 0 ... 60 sec.



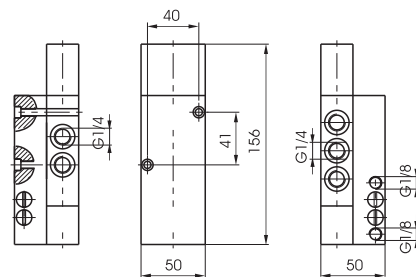
Weight gr. 320 (30 sec.)
Weight gr. 380 (60 sec.)

Operational characteristics	Fluid	Min / Max working pressure	Operating Temperature		Flow rate at 6 bar with p=1	Orifice size
	Filtered and lubricated air	4 ... 10 bar	Min. -5°C	Max. +70°C	130 NI/min	mm 2,5

Two hands safety valve G 1/4"

Ordering code

900.52.1.1



Weight gr. 780

Operational characteristics	Fluid	Max working pressure	Operating Temperature		Flow rate at 6 bar with p=1	Orifice size	Working port size	Working pilot size
	Filtered and lubricated air	10 bar	Min. -5°C	Max. +70°C	1030 NI/min	mm 7	G 1/4"	G 1/8"



Two hands safety valve III A class certification (according to EN 574 standard)

Ordering code
900.18.9

Weight gr. 340

Operational characteristics	Fluid	Min / Max working	Operating Temperature		Flow rate at 6 bar with $p=1$	Orifice size	Working port size	Working pilot size
	Filtered and lubricated air	3 ... 8 bar	Min. -5°C	Max. +70°C	40 NI/min	mm 2,5	G 1/8"	G 1/8"

Two hands safety valve III B class certification (according to EN 574 standard)

Ordering code
900.18.10

Weight gr. 980

Operational characteristics	Fluid	Min / Max working	Operating Temperature		Flow rate at 6 bar with $p=1$	Orifice size	Working port size	Working pilot size
	Filtered and lubricated air	3 ... 8 bar	Min. -5°C	Max. +70°C	40 NI/min	mm 2,5	G 1/8"	G 1/8"

Power valve adaptor (Series 2400)

Ordering code
900.18.11

Weight gr. 75

1

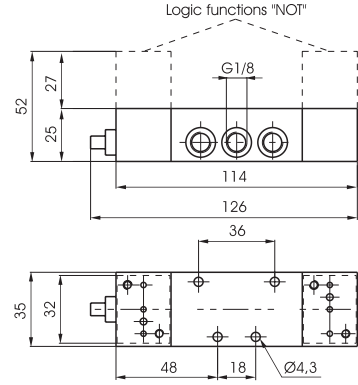


1

Oscillator valve G 1/8"

Ordering code
900.52.N

FUNCTION
N 5 = without logic functions NOT
5C = with logic functions NOT

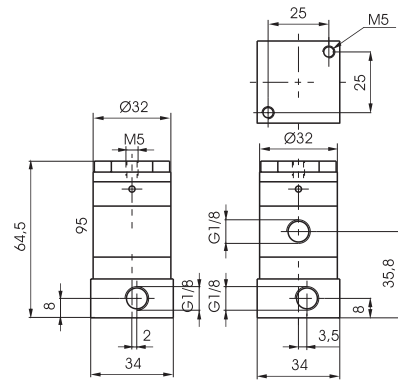


Weight gr. 600

Operational characteristics	Fluid	Max working pressure	Min working pressure	Temperature		Flow rate at 6 bar with p=1	Orifice size	Working port size
	Filtered and lubricated air	8 bar	2 bar	Min. -5°C	Max. +70°C	540 NI/min	mm 6	G 1/8"

Signal amplifier G 1/8"

Ordering code
900.32.6

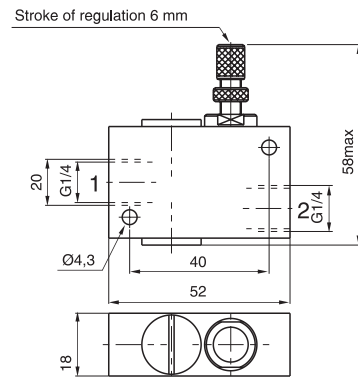


Weight gr. 170

Operational characteristics	Fluid	Max working pressure	Min working pressure	Temperature		Flow rate at 6 bar with p=1	Orifice size	Working port size
	Filtered and lubricated air	10 bar	0,05 bar	Min. -5°C	Max. +70°C	130 NI/min	mm 3	G 1/8"

Progressive start-up valve G 1/4"

Ordering code
900.14.7



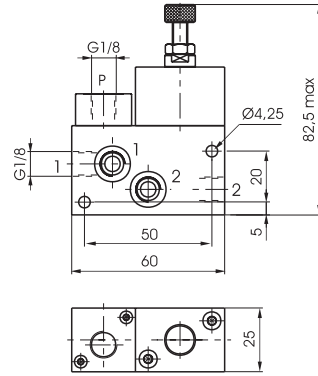
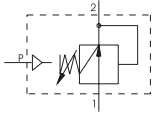
Weight gr. 100

Operational characteristics	Fluid	Min / Max working pressu-	Operating Temperature		Flow rate from 1 to 2	Flow rate from 2 to 1	Flow rate need- le fully	Orifice size
	Filtered and lubricated air	2,5 bar10 bar	Min. -5°C	Max. +70°C	760 NI/min	900 NI/min	200 NI/min	mm. 6

High-low pressure device with pneumatic pilot

Ordering code

900.18.8P



Weight gr. 240

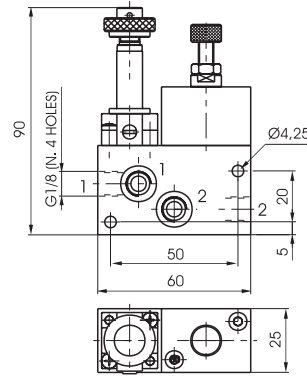
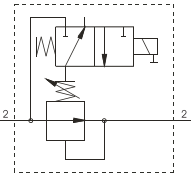
1 = Inlet / pressure gauge
2 = Outlet / pressure gauge
P = Piloting

Operational characteristics	Fluid	Max working pressure	Pressure range	Temperature		Max flow 6 bar p=1	Working port size
	Filtered and lubricated air	10 bar	1 ... 4 bar	Min. -5°C	Max. +50°C	650 NI/min	G 1/8"

High-low pressure device with M2 mechanic

Ordering code

900.18.8E



Weight gr. 280

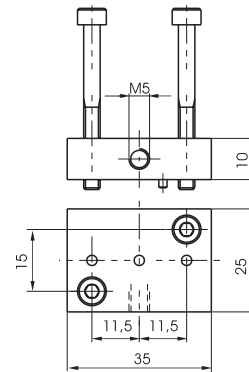
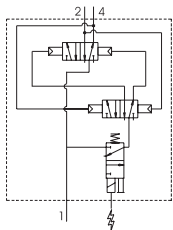
1 = Inlet / pressure gauge
2 = Outlet / pressure gauge

Operational characteristics	Fluid	Max working pressure	Pressure range	Temperature		Max flow 6 bar p=1	Working port size
	Filtered and lubricated air	10 bar	1 ... 4 bar	Min. -5°C	Max. +50°C	650 NI/min	G 1/8"

External feeding base "NOT" logical element

Ordering code

900.005



Weight gr. 35